



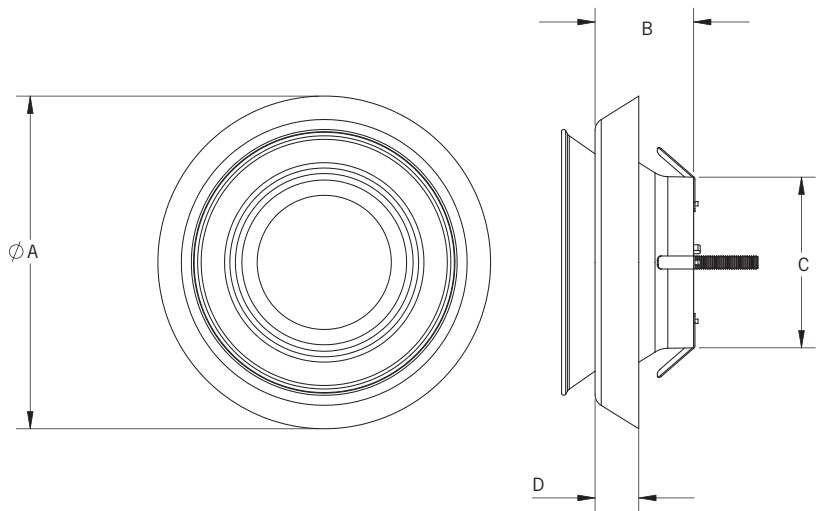
Builder's Best, Inc.
 201 Broiles Drive
 Jacksonville, TX 75766
 903-586-8283
 sales@buildersbest.com
 BuildersBest.com

WG ADJUSTABLE DIFFUSERS



PRODUCT SPECIFICATIONS

- Dual flow for intake or exhaust
- Stainless steel grip "clip" for snug fit
- Foam gasket allows for tight seal on uneven surfaces
- Lock nut included to adjust air flow
- Long lasting durability with UV- protected, impact resistant, polymer resin
- Ceiling or wall mountable



Diameter	A	B	C	D
4"	6	2	3.1	.8
5"	7	2.83	3.9	.82
6"	8	3	4.9	.8

PART NUMBERS

Diameter	Old Part #	Qty	New Case #	Package	Free Area	Note
4"	111862	12	WG401	Bulk	5.5 sq.in	Special Order
5"	111864	12	WG501	Bulk	9.9 sq.in	Special Order
6"	111865	8	WG601	Bulk	11.4 sq.in	Special Order

LABELS



WARRANTY

Contact hvac@menzies-metal.com

Builder's Best is an
 Authorized Primex Distribution Partner
 Primex is Made in Canada by Menzies Group

WG Series Adjust-A-Vent Ceiling Diffusers

Technical Data Sheet

FEATURES & BENEFITS

- Dual flow: whisper quiet air supply or exhaust with lock nut to fine tune air flow from 0-100%.
- Strong stainless steel grip clip provides snug fit.
- Extra thick foam gasket allows for tight seal on uneven surfaces and provides quiet air flow.
- Long-lasting durability with impact resistant, polymer resin.
- WG401 vent is compatible with Primex's squeeze elbow accessory EB4x90.
- Easy to install and remove.

COLOURS

- Snow White (01)

APPLICATIONS

- Heat Recovery Venting (HRV)
- Bathroom Venting
- Intake

PART NUMBER/SIZING

Part #	Size	Free Area	Description	Pkg
WG401	4"	5.5 sq. in.	Use w/EB4x90	25/box
WG501	5"	9.9 sq. in.	Adjustable diffuser	25/box
WG601	6"	11.4 sq. in.	Adjustable diffuser	25/box

TECHNICAL DRAWING

