



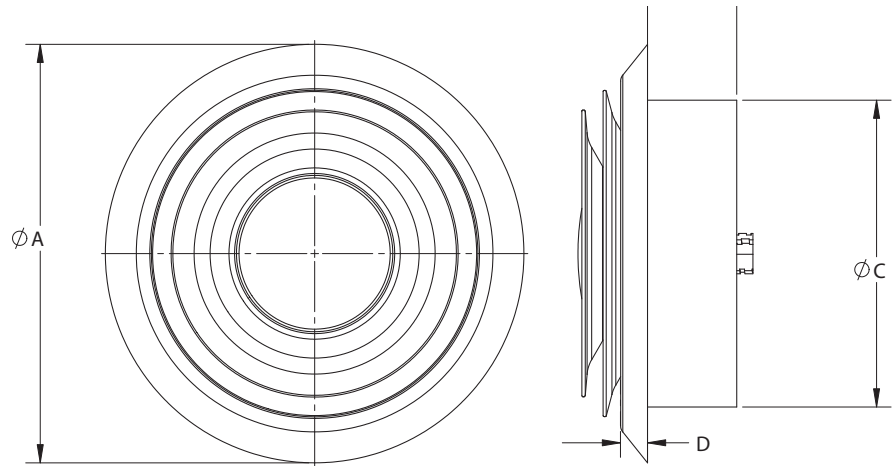
Builder's Best, Inc.
 201 Broiles Drive
 Jacksonville, TX 75766
 903-586-8283
 sales@buildersbest.com
 BuildersBest.com

WGX ADJUSTABLE DIFFUSERS



PRODUCT SPECIFICATIONS

- Dual flow for intake or exhaust
- Adjustable screw to set air flow
- Secure friction fit
- Trim ring snaps over flange and hides mounting screws
- Long lasting durability with UV- protected, impact resistant, polymer resin
- Ceiling mountable



| Diameter | A | B | C | D |
|----------|------|-----|-----|-----|
| 4" | 6.34 | 3 | 4.9 | .61 |
| 5" | 8.35 | 3 | 5.9 | .61 |
| 6" | 10.8 | 2.3 | 7.9 | .7 |

PART NUMBERS

| Diameter | Part # | Qty | New Case # | Package | Free Area | Note |
|----------|--------|-----|------------|---------|------------|---------------|
| 4" | 111896 | 25 | WGX401 | Bulk | 10.5 sq.in | Special Order |
| 5" | 111898 | 25 | WGX501 | Bulk | 25.1 sq.in | Special Order |
| 6" | 111900 | 15 | WGX601 | Bulk | 45.5 sq.in | Special Order |

LABELS

Builder's Best is an
 Authorized Primex Distribution Partner
 Primex is Made in Canada by Menzies Group



WARRANTY

Contact hvac@menzies-metal.com

WGX Series True-Flow Ceiling Diffusers

Technical Data Sheet

FEATURES & BENEFITS

- Dual flow: whisper quiet air supply or exhaust with four-wing screw to adjust air flow from 0-100%.
- Increased air flow over the WG Series.
- Patented design.
- Added security of mounting screws through base flange.
- Snap-on trim ring to hide mounting screws and hole trim is included.
- Long-lasting durability with UV-protected, impact resistant, polymer resin.
- WGX4S vent (with shorter collar) is compatible with Primex's squeeze elbow accessory (EB4x90) and 4-inch diffuser sleeve (DS Series).
- Easy to install and remove for duct and vent cleaning.

COLOURS

- Snow White (01)

APPLICATIONS

- Heat Recovery Venting (HRV)
- Bathroom Venting
- Intake

PART NUMBER/SIZING

| Part # | Size | Free Area | Description | Pkg |
|--------|------|--------------|---|--------|
| WGX4 | 4" | 10.5 sq. in. | Adjustable diffuser | 25/box |
| WGX4S | 4" | 10.5 sq. in. | Adjustable diffuser w/short base for EB4x90 | 25/box |
| WGX5 | 5" | 16.9 sq. in. | Adjustable diffuser | 25/box |
| WGX6 | 6" | 25.1 sq. in. | Adjustable diffuser | 25/box |
| WGX7 | 7" | 35.5 sq. in. | Adjustable diffuser | 15/box |
| WGX8 | 8" | 45.5 sq. in. | Adjustable diffuser | 15/box |

TECHNICAL DRAWING

