



Builder's Best, Inc.
 201 Broiles Drive
 Jacksonville, TX 75766
 903-586-8283
 sales@buildersbest.com
 BuildersBest.com

Builder's Best® Snap-Lock™ Pipe V850-TD & V830



DESCRIPTION

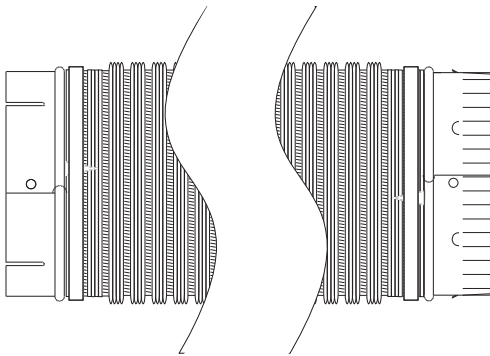
V800 series Builder's Best® Snap-Lock™ pipe is a durable semi-rigid flexible duct designed for clothes dryer venting. Factory-installed fittings snap to other SAF-T-DUCT® components. These pre-treated ends save time and provide more secure connections.

PRODUCT FEATURES

- Snap-Lock™ Fittings: One fitting crimped (male), one fitting slotted (female)
- Ships compressed

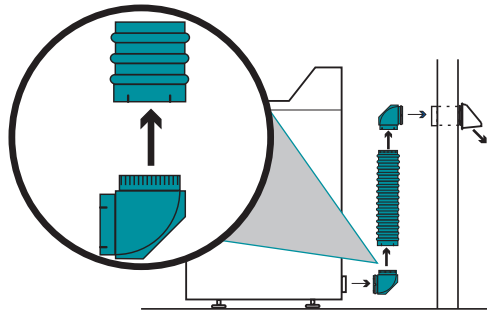
PRODUCT SPECIFICATIONS

- 100% aluminum roll formed with mechanical seams
- Class 0 metal duct, non-insulated
- UL® 2158A Clothes Dryer Transition Duct Available



PART NUMBERS

Model	Dia.	Length	Listing	Each #	Qty	Case #	Package
V850-TD	4"	6'	UL® 2158A	10548	12	110548	Bulk
V830	4"	6'	n/a	10129	12	110129	Display Bag
V830	4"	6'	n/a	10005	12	010016	Display Tray
V830	4"	5'	n/a	10138	15	110138	Bulk
V830	4"	6'	n/a	10107	12	110107	Bulk
V830	4"	8'	n/a	10120	20	110120	Bulk
V830	4"	12'	n/a	10079	20	110079	Bulk



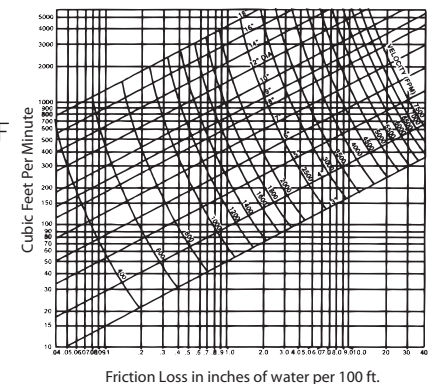
Builder's Best® Flexible pipe is designed to Snap-Lock™ to elbows (like the Close Elbow™ pictured) or to other pieces of V830 for longer runs

PERFORMANCE DATA

- Recommended Operating Pressure:
 - Positive: 6" WC max
 - Negative: 6" WC max
- Maximum velocity: 5,000 FPM
- Operating Temp. Range: -100°F to +430°F
- Flame Speed 0
- Smoke Developed 0

INSTALLATION: Air duct connections and joins shall be made per installation instructions outlined by Builder's Best. (Installation instructions are included inside each carton.)

AIRFLOW



LABELS



WARRANTY

See complete warranty statement at <https://buildersbest.com/warranty/>

Duct V850-TD V830 Builder's Best Pipe V5 7/5/23