



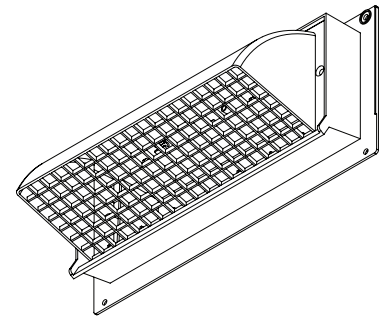
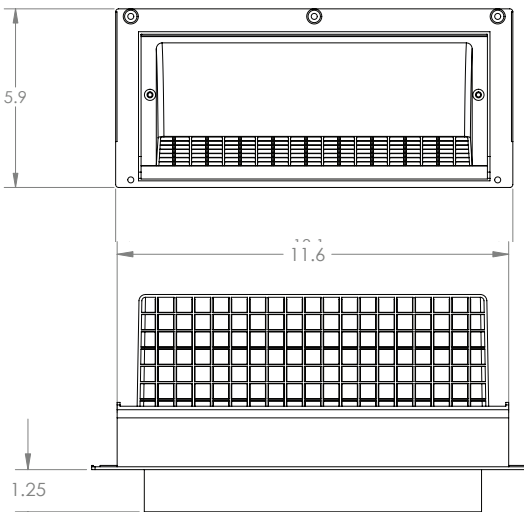
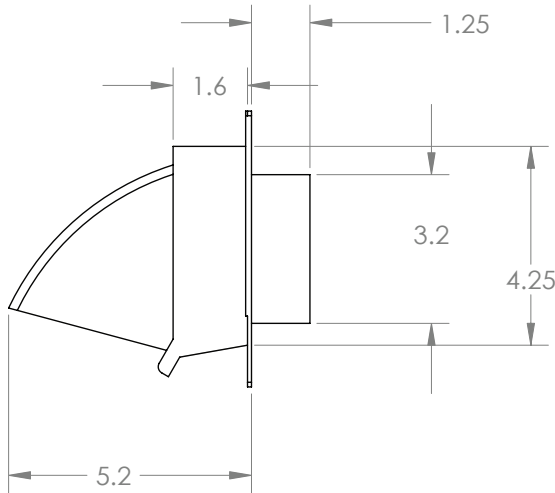
Builder's Best, Inc.
 201 Broiles Drive
 Jacksonville, TX 75766
 903-586-8283
 sales@buildersbest.com
 www.BuildersBest.com

HOOD WALL WC310

3 1/4" x 10" HEAVY DUTY PLASTIC WALL CAP

PRODUCT SPECIFICATIONS

- UV stabilized Polymer resin
- Drip edge on flanged base to help drain away water
- Removeable Damper for intake or exhaust
- 1/2" x 1/2" molded grid
- 3 1/4" x 10" long rectangular tail



PART NUMBERS

Dia.	Color	Mouth	Screen	Each #	Qty	Case #	Package	UPC	Labeled	Note
4"	grey	wide	1/2" x 1/2"	WC31031KEA	18	WC31031K	Bulk	063316310317	•	Special Order
4"	white	wide	1/2" x 1/2"	WC31001KEA	18	WC31001K	Bulk			Special Order
4"	taupe	wide	1/2" x 1/2"	WC31023KEA	18	WC31023K	Bulk			Special Order
4"	dark brown	wide	1/2" x 1/2"	WC31068KEA	18	WC31068K	Bulk			Special Order



Builder's Best is an
 Authorized Primex Distribution Partner
 Primex is Made in Canada by Menzies Group

WARRANTY

Contact hvac@menzies-metal.com

WC3x10 Series Intake/Exhaust Wall Cap Vents

Technical Data Sheet

FEATURES & BENEFITS

- Compatible with rainscreen applications via extended base, compensating for cavity between sheathing and cladding.
- Patented design eliminates leaky joints while maximizing water protection with one-piece molded base and built-in drip edge.
- Integrity of the building envelope is maintained via a removable hood for simple duct cleaning.
- Suitable for intake and exhaust applications.
- Over-sized flange ensures watertight installation.
- Made with UV-protected durable polymer resin.
- Highly resistant to mechanical impact including a built-in bird screen.
- Quick and easy installation.

COLOURS

- Black (25)
- Light Grey (31)
- Dark Grey (28)
- Taupe (23)
- Tan (45)
- Dark Brown (68)
- Snow White (01)

APPLICATIONS

- Range Venting

PART NUMBER/SIZING

Part #	Duct Boot	Free Area	Description	Pkg
WC310	3" x 10"	30.2 sq. in.	Wall Cap Vent: use with 3" x 10" register boot or slab duct	18/box
WC310K	3.25" x 10"	30.2 sq. in.	Range Hood Vent: use with 3.25" x 10" kitchen transition boot or slab duct	18/box

TECHNICAL DRAWING

WC310 Shown

