



**Builder's Best, Inc.**  
 201 Broiles Drive  
 Jacksonville, TX 75766  
 903-586-8283  
 sales@buildersbest.com  
 BuildersBest.com

# KIT EVK ELBOW VENT KIT



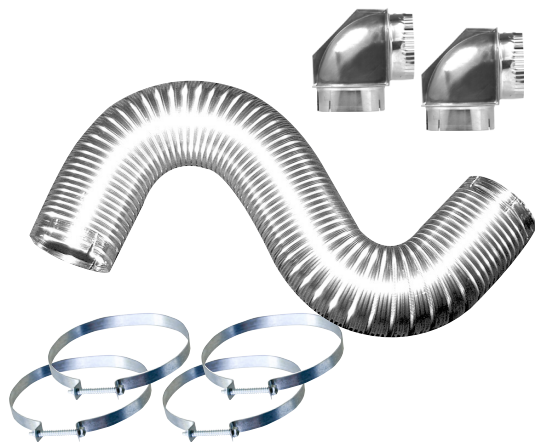
10043

## PRODUCT DESCRIPTION

EVK Elbow Vent Kits are all metal dryer vent kits which meet clothes dryer manufacturer specifications. The Close Elbow® makes 90° turns within 4 inches, which saves space behind the dryer and also saves duct for the length of run. Close Elbows® provide the best airflow at turns, better than duct alone, resulting in a highly efficient transition duct.

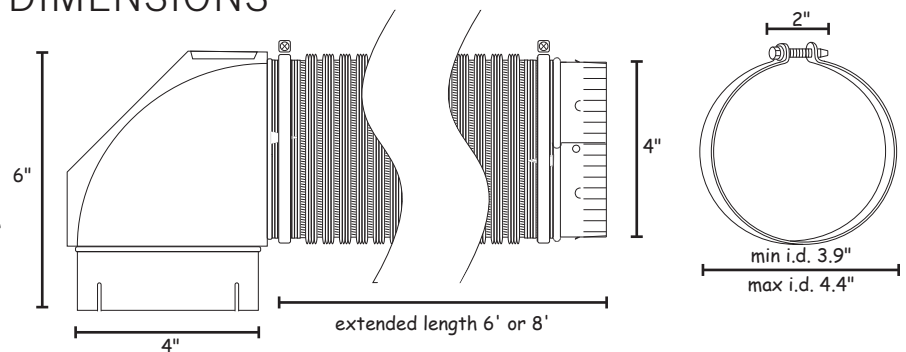
## KIT CONTAINS (SEE TABLE BELOW)

- One - 6' or 8 foot duct, see table below
- Two - Close Elbows®
- 2 or 4 - steel screw clamps  
 V830 duct snaps to the Close Elbows®; clamps are used at the dryer and wall  
 V430 duct requires clamps to secure elbows to duct, and at dryer and wall



10049 & 10050

## DIMENSIONS



## PERFORMANCE DATA

- Pressure rating: Maximum positive and negative UL 12" w.g., non-UL 6" w.g.
- Operating Temp. range: -100°F to +430°F
- Flame Spread: 0
- Smoke Developed: 0

## RECOMMENDATIONS

- Clothes dryer manufacturers and building codes recommend all metal venting.

## PART NUMBERS

Dia.	Length	Duct	Elbows	Clamps	Each #	Qty	Case #	Package
4"	6'	V830 Builder's Best	2 Close Elbows	2 steel	10043	4	110043	Ind. Box
4"	6'	V430 Readi-Pipe	2 Close Elbows	4 steel	10049	4	110049	Ind. Box
4"	8'	V430 Readi-Pipe	2 Close Elbows	4 steel	10050	4	110050	Ind. Box

## LABELS



## WARRANTY

COMPLETE WARRANTY STATEMENT AT [HTTPS://WWW.BUILDERSBEST.COM](https://www.buildersbest.com)