



**Builder's Best, Inc.**  
 201 Broiles Drive  
 Jacksonville, TX 75766  
 903-586-8283  
 sales@buildersbest.com  
 www.BuildersBest.com

# SV50 BLACK STATIC ROOF VENT

## DESCRIPTION

Model SV50 black static plastic roof vent for natural airflow ventilation



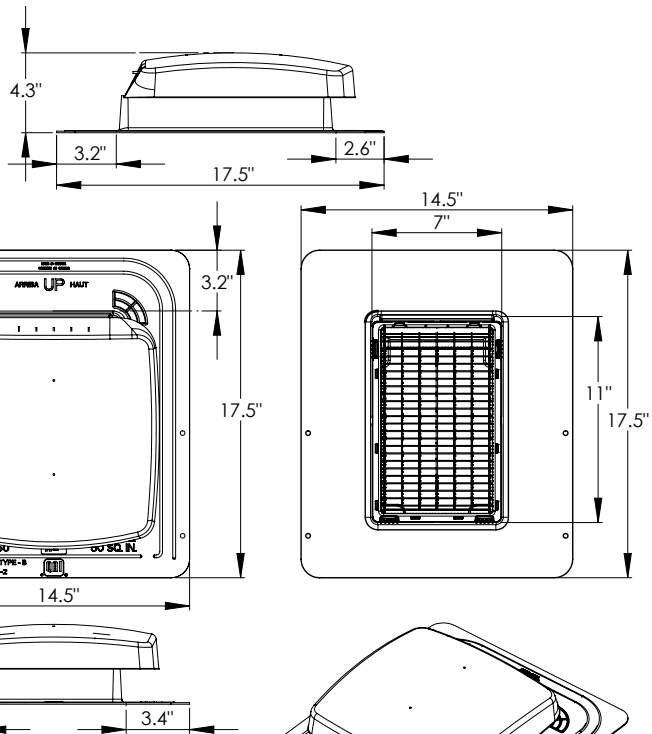
## PRODUCT FEATURES

- Internally screened
- 4 inch flange

## PRODUCT SPECIFICATIONS

- High density polyethylene plastic
- Opening size: 7in x 10in
- 50 square inch free area airflow
- Should be mounted at upper portion of steep roof minimum pitch 4:12
- Do not use as intake vent.

Check local building codes for uses.



- Features:**
- Meets CAN3 A93 and IAMPO PS64 Standards
  - Made from durable high impact plastic
  - Made to withstand extreme temperatures and ultraviolet rays
  - 50 square inches air flow

## PART NUMBERS

Opening Size	Color	Screen	Each #	Qty	Case #	Package	UPC
7" x 10"	Black	internal	SV5040	12	1SV5040	Bulk	856189001129

## LABELS

Listed by QAI to meet  
 CSA CAN3-A93 and IAPMO PS 64 Standards

## WARRANTY & INSTRUCTIONS

Complete Warranty Statement & Instructions at  
<https://www.menzies-metal.com/building-supplies/sv50-plastic-roof-vent/>