



Builder's Best, Inc.
 201 Broiles Drive
 Jacksonville, TX 75766
 903-586-8283
 sales@buildersbest.com
 www.BuildersBest.com

UV4 & UV6 BATH/DRYER ROOF VENT

DESCRIPTION

Model UV4 and UV6 Black plastic roof vents for bathroom and dryer venting on steep roofs.

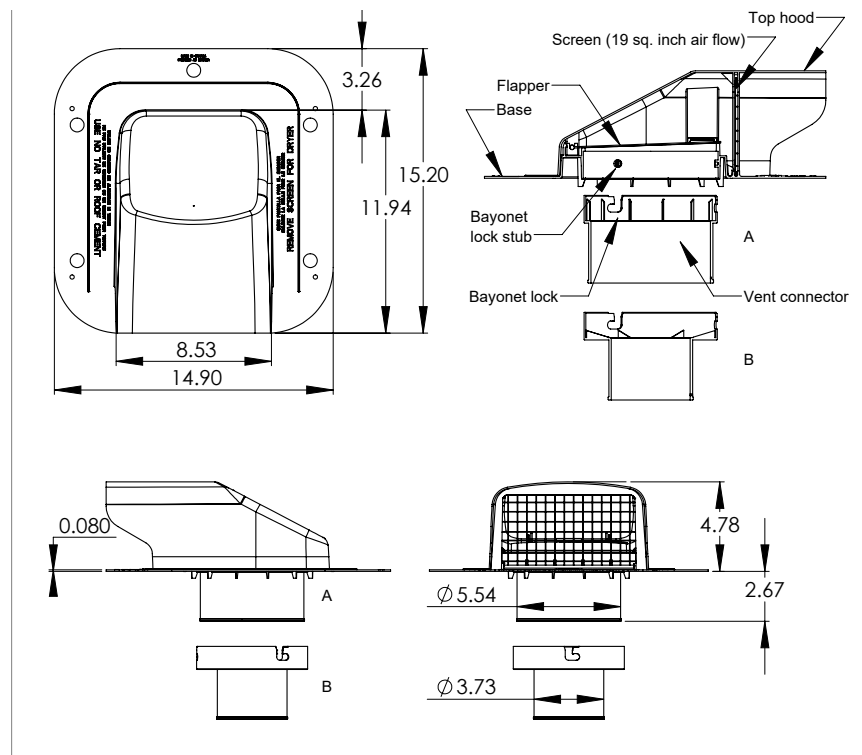
PRODUCT FEATURES

- Translucent damper/flapper, removable
- Screen (should be removed for dryer venting)
- Translucent adapter separates so that duct can be attached to adapter "on the ground" and then adapter inserts into cap via bayonet lock
- Nylon pipe strap included for duct attachment

PRODUCT SPECIFICATIONS

- High impact polyethylene plastic
- Leakproof, seamless outer shell
- Should be mounted on steep roof under composition or roof shingles minimum pitch 4:11

Check local building codes for uses.



PART NUMBERS

Dia.	Color	Use for:	Collar	Flapper	Screen	Each #	Qty	Case #	Package	UPC
4"	Black	bath or dryer vent	B	removable	molded, removable	UV440	4	1UV440	Bulk	856189001297
6"	Black	bath or dryer vent	A	removable	molded, removable	UV640	4	1UV640	Bulk	856189001341

LABELS

Listed by QAI to meet
 CSA CAN3-A93 and IAPMO PS 64 Standards

WARRANTY & INSTRUCTIONS

Complete Warranty Statement at
<https://www.menzies-metal.com/warranty/>