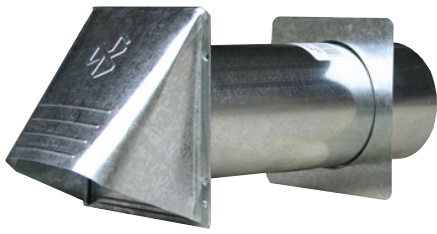




Builder's Best, Inc.
 201 Broiles Drive
 Jacksonville, TX 75766
 903-586-8283
 BuildersBest.com
 sales@buildersbest.com

GWM320 GALVANIZED WIDE MOUTH HOOD



10771
 WIDE MOUTH

DESCRIPTION

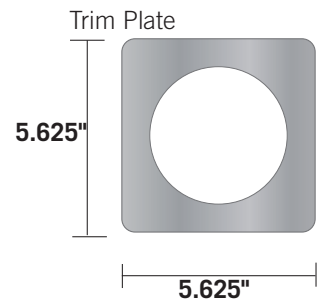
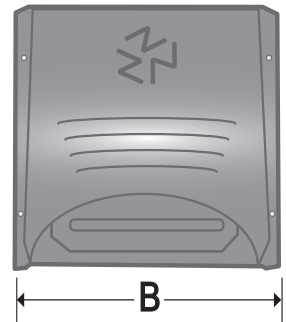
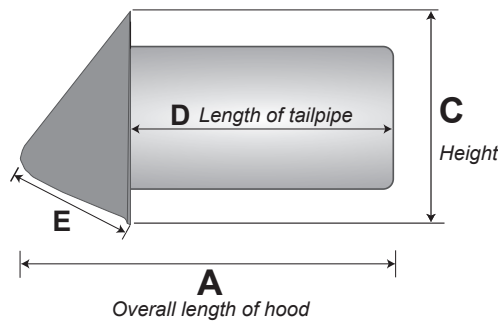
The GWM320 is a durable galvanized wall vent hood made with 30 gauge mill finished galvanized steel. .

PRODUCT FEATURES

- Back draft flapper
- Four mounting holes
- Galvanized trim plate

PRODUCT SPECIFICATIONS

- 30 gauge P-Tanium™ paintable galvanized steel
- Riveted construction
- Wide mouth opening



PART NUMBERS

GWM320 WIDE MOUTH WITH FLAPPER

Dia.	Tail Length	Mouth	Flapper	Screen	Each #	Qty	Case #	Package	UPC	A in.	B in.	C in.	D in.	E in.
3"	11.5	wide	flapper	n/a	10770	12	110770	Bulk	722048107700	15	6	6	11.5	4
4"	flush	wide	flapper	n/a	10699	24	110699	Bulk	722048106994	3.5	6	6	n/a	
4"	11.5	wide	flapper	n/a	10771	12	110771	Bulk	722048107717	15	6	6	11.5	4

LABELS



WARRANTY

Complete Warranty Statement at <https://www.buildersbest.com>

Hood Wall GWM320 with flapper galv wide mouth hood spec sheet V3 7/14/23