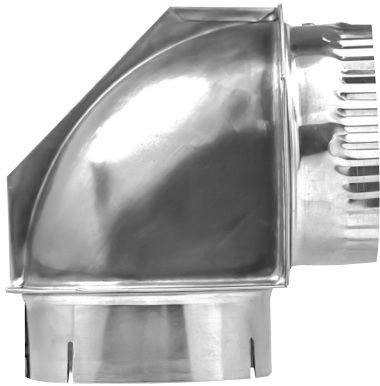




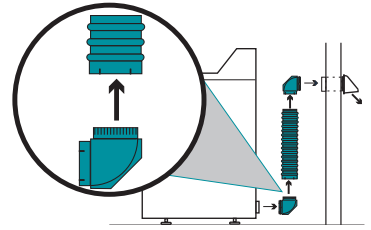
**Builder's Best, Inc.**  
 201 Broiles Drive  
 Jacksonville, TX 75766  
 903-586-8283  
 sales@buildersbest.com  
 BuildersBest.com

# Close Elbow®



## DESCRIPTION

The Builder's Best Close Elbow® is the best choice for 90° turns, especially on the dryer. It makes 90° turns within 4" and offers excellent crush resistance while maintaining maximum airflow. Rotating collars allow flexible duct to move without disconnecting.

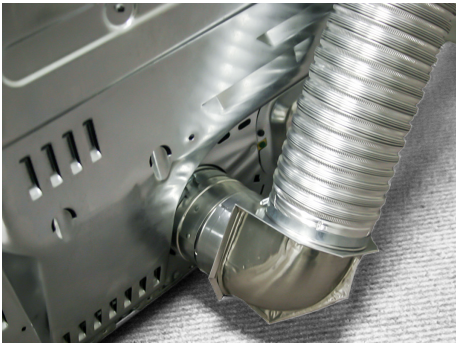


## PRODUCT FEATURES

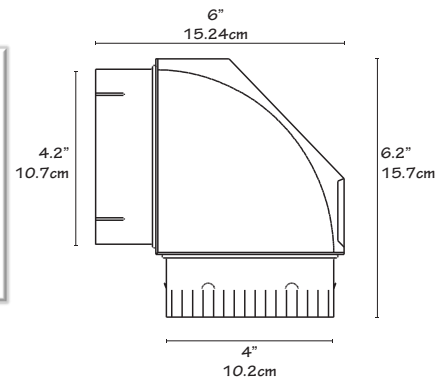
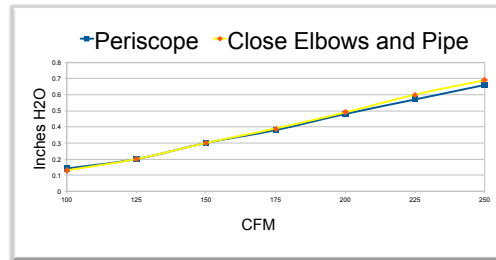
- One male (crimped) rotating Snap-Lock™ fitting
- One female (slotted) rotating Snap-Lock™ fitting

## PRODUCT SPECIFICATIONS

- Rigid 100% aluminum
- PN12270 meets UL®2158A dryer transition duct testing



## PERFORMANCE DATA



## DISPLAY CARD

**Builder's Best®**  
 4" Wall Clearance  
 10cm  
 Dryer Venting  
 Conduit de Séchage  
 Ventilación de la Secadora  
**Close Elbow®**  
 • Best choice for 90° turns  
 • Reduces space needed  
 • 33% closer than pipe alone  
 • Le meilleur choix pour tourner de 90°  
 • Réduit l'espace nécessaire  
 • 33% tout près que tuyau rigide  
 • La mejor opción para doblar de 90°  
 • Reduce el espacio necesario  
 • 33% más cerca que el tubo rígido

## RECOMMENDATIONS

- Best performance with Builder's Best® Snap-Lock™ Pipe V850 or V830.
- The International Mechanical Code recommends rigid metal duct for dryer exhaust as well as in-wall exhaust. IMC 504.6.1 & 504.8-3
- Dryer manufacturers specify "Only rigid or flexible metal vent shall be used for exhausting. Do not use plastic or metal foil vent."

## PATENTS

Parts are covered by US patents: 5,121,948; 5,145,217; 5,133,579; 5,158,328; 5,498,204; 5,653,631; 5,819,435; 5,943,743; 6,035,495; 6,370,794; 6,390,510; D.335,174; D.342,130; D.342,782  
 Canadian patents 2,062,123; 2,063,098; 2,279,599; 2,299,989; 2,317,863; Builder's Best, Inc., ® and/or patents pending. ©2020 all rights reserved

## PART NUMBERS

Dia.	Note	Collar 1	Collar 2	Each #	Qty	Case #	Package	UPC	Labeled
4"		male (crimped)	female (slotted)	10161	6	110161	Display Card	722048101616	•
4"		male (crimped)	female (slotted)	10161	24	010151	Display Card	722048101616	•
4"		male (crimped)	female (slotted)	10161	24	210161	Display Card	722048101616	•
4"	w/1 clamp	male (crimped)	female (slotted)	10108	24	110108	Bulk	722048101081	
4"	w/1 clamp	male (crimped)	female (slotted)	10108	576	710108	Bulk/Skid	722048101081	
4"	UL® 2158A	male (crimped)	female (slotted)	12270	24	112270	Bulk	722048122703	

## Labels



Made in the U.S.A.



## WARRANTY

See complete warranty statement at <https://buildersbest.com/warranty/>