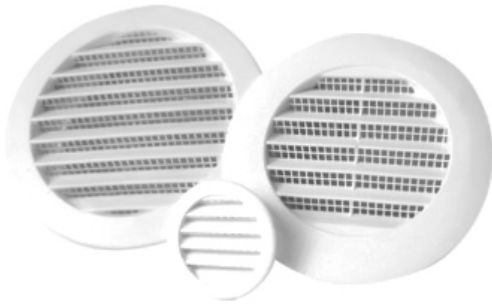




Builder's Best, Inc.
 201 Broiles Drive
 Jacksonville, TX 75766
 903-586-8283
 sales@buildersbest.com
 BuildersBest.com

PRIMEX RDV SERIES ROUND EAVE (SOFFIT) VENT



PRODUCT SPECIFICATIONS PLEASE SEE REVERSE FOR CURRENT PRIMEX TECH SPECS

Round soffit vent for Intake or exhaust made of UV-stabilized polymer resin.

- Molded in screen
- UV Stabilized Polymer resin
- Secure friction fit

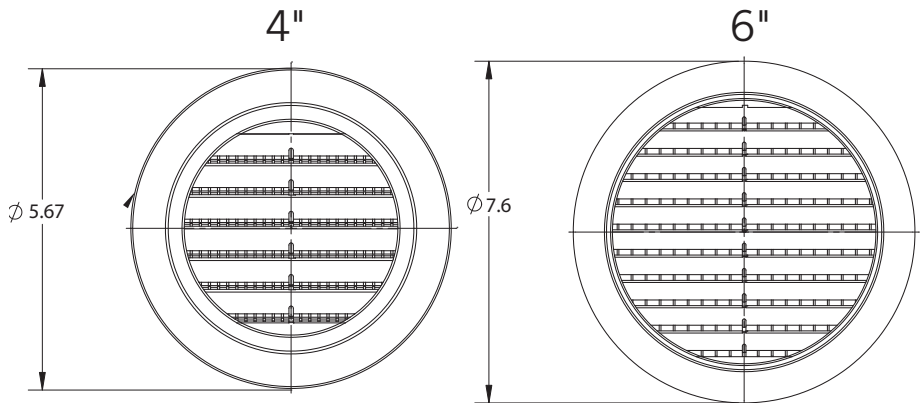
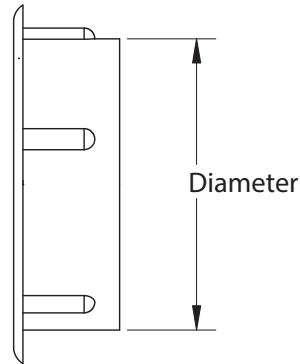
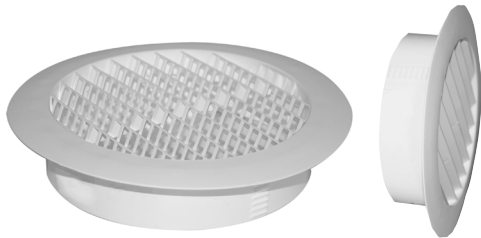
PART NUMBERS

Part numbers shown are stocked.

Other Primex items are special orders.



Dia.	Tail	Color	Screen	Old Case #	Each #	Qty	Case #	Package
4"	1.7	white	1/8" molded	111869	RDV4S01	70	1RDV4S01	Bulk
6"	1.4	white	1/4" molded	111875	RDV6S01	30	1RDV6S01	Bulk



LABELS

Builder's Best is an
 Authorized Primex Distribution Partner
 Primex is Made in Canada by Menzies Group



WARRANTY

Please contact hvac@menzies-metal.com for warranty information.

Hood Eave RDV spec sheet V6 3/20/24

RDV Series Round Soffit Vent

Technical Data Sheet

FEATURES & BENEFITS

- Helps prevent peeling paint by removing moisture from wall cavities.
- Extra long collar for better hose or duct connection.
- Molded-in mesh bug screen.
- Secure friction fit.
- Made from durable, one-piece molded plastic.
- Quick and easy installation.
- Pair with optional Primex 4-inch Squeeze Elbow (EB4x90) for 2x4 stud installation.

COLOURS

- Snow White (01)

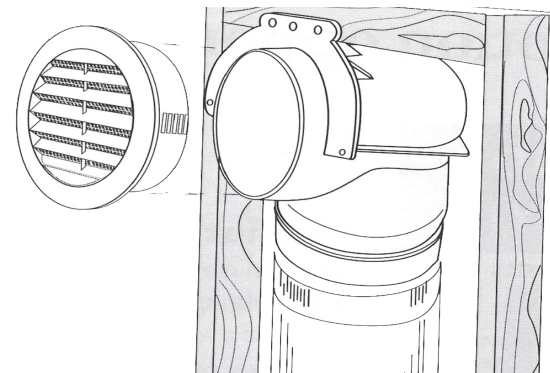
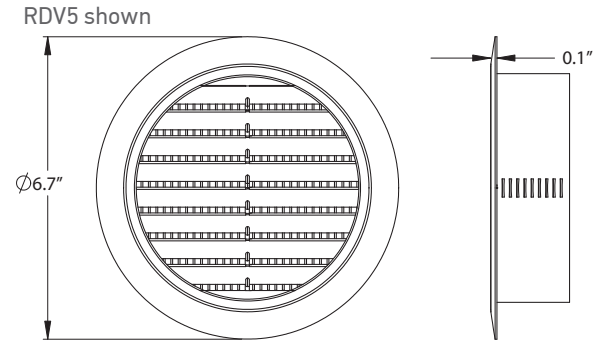
APPLICATIONS

- Heat Recovery Venting (HRV)
- Bathroom Venting
- Intake
- Range Venting

PART NUMBER/SIZING

Part #	Size	Free Area	Description	Pkg
RDV2S	2" Dia.	1.1 sq. in	Fits 2" diameter duct	50/bag
RDV4S	4" Dia.	4.0 sq. in	Fits 4" diameter duct	70/box
RDV5S	5" Dia.	6.4 sq. in	Fits 5" diameter duct	50/box
RDV6S	6" Dia.	10.3 sq. in	Fits 6" diameter duct	30/box

TECHNICAL DRAWING



4" Round Vent installed with Primex's
'Squeeze Elbow' EB4x90