



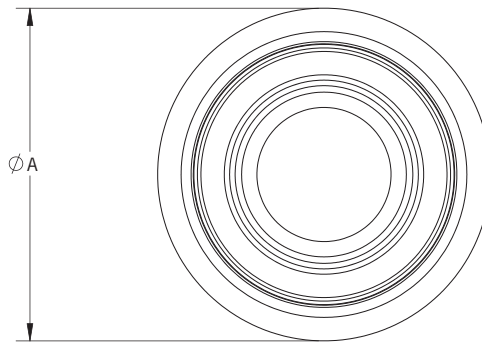
Builder's Best, Inc.
 201 Broiles Drive
 Jacksonville, TX 75766
 903-586-8283
 sales@buildersbest.com
 BuildersBest.com

WG ADJUSTABLE DIFFUSERS

PRODUCT SPECIFICATIONS



- White UV stabilized polymer resin
- Dual flow for intake or exhaust
- Stainless steel grip "clip" for snug fit
- Foam gasket allows for tight seal on uneven surfaces
- Lock nut included to adjust air flow
- Ceiling or wall mountable



Diameter	A	height
4"	7	2.75
5"	8	3
6"	9	3.25

PART NUMBERS

Diameter	Old Part #	Each #	Qty	Case #	Package	Free Area	Note
4"	111862	WG401	25	WG401	Bulk	5.5 sq.in	Special Order
5"	111864	WG501	25	WG501	Bulk	9.9 sq.in	Special Order
6"	111865	WG601	25	WG601	Bulk	11.4 sq.in	Special Order

LABELS

Builder's Best is an
 Authorized Primex Distribution Partner
 Primex is Made in Canada by Menzies Group



WARRANTY

More information: primexvents.com
 Contact hvac@menzies-metal.com

WG Series Adjust-A-Vent Ceiling Diffusers

Technical Data Sheet

FEATURES & BENEFITS

- Dual flow: whisper quiet air supply or exhaust with lock nut to fine tune air flow from 0-100%.
- Strong stainless steel grip clip provides snug fit.
- Extra thick foam gasket allows for tight seal on uneven surfaces and provides quiet air flow.
- Long-lasting durability with impact resistant, polymer resin.
- WG401 vent is compatible with Primex's squeeze elbow accessory EB4x90.
- Easy to install and remove.

COLOURS

- Snow White (01)

APPLICATIONS

- Heat Recovery Venting (HRV)
- Bathroom Venting
- Intake

PART NUMBER/SIZING

Part #	Size	Free Area	Description	Pkg
WG401	4"	5.5 sq. in.	Use w/EB4x90	25/box
WG501	5"	9.9 sq. in.	Adjustable diffuser	25/box
WG601	6"	11.4 sq. in.	Adjustable diffuser	25/box

TECHNICAL DRAWING

