



Builder's Best, Inc.
 201 Broiles Drive
 Jacksonville, TX 75766
 903-586-8283
 sales@buildersbest.com
 BuildersBest.com

PRIMEX SV-SD SERIES EAVE (SOFFIT) VENT EXHAUST

PRODUCT SPECIFICATIONS
 PLEASE SEE REVERSE
 FOR CURRENT PRIMEX TECH SPECS

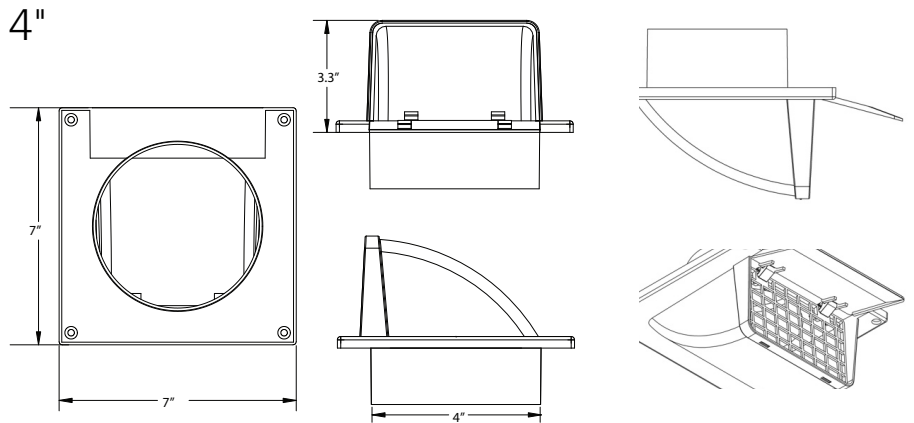


- One piece design
- Made from UV stabilized polymer resin
- Removable back draft flapper
- Removable screen

PART NUMBERS

Part numbers shown are stocked.
 Other Primex items are special orders.

Dia.	Tail	Color	Each #	Qty	Case #	Package
4"	3.3"	white	SV401SD	24	1SV401SD	Bulk



LABELS

Builder's Best is an
 Authorized Primex Distribution Partner
 Primex is Made in Canada by Menzies Group

primex WARRANTY

Please contact hvac@menzies-metal.com for warranty information.

V-SD Series Boffit Vents

Technical Data Sheet

FEATURES & BENEFITS

- Low profile, one-piece design is less obtrusive than traditional vents.
- Removable screen and damper.
- Can be used in new or retrofit applications.
- No need to penetrate the roof or walls.
- No leaky seams on the vent hood.
- Made from durable, UV-stabilized polymer resin.
- Lightweight and easy to install.

COLOURS

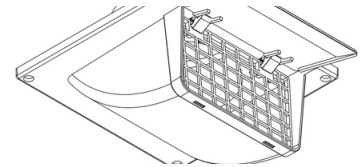
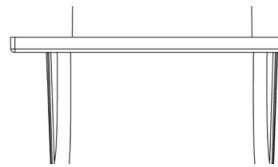
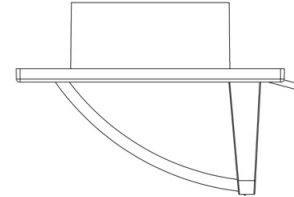
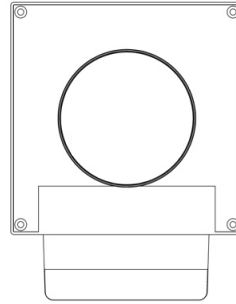
- Snow White (01)
- Black (25)
- Taupe (23)

APPLICATIONS

- Dryer Venting
- Bathroom Venting
- Range Venting
- Heat Recovery Venting (HRV)
- Intake

PART NUMBER/SIZING

Part #	Size	Free Area	Description	Pkg
SV4-SD	4" Dia.	12.6 sq. in	Fits 4" diameter duct	24/box



CONTACT US FOR MORE INFORMATION:
1.800.665.8840 | hvac@menzies-metal.com


primexvents.com