



**Builder's Best, Inc.**  
 201 Broiles Drive  
 Jacksonville, TX 75766  
 903-586-8283  
 sales@buildersbest.com  
 BuildersBest.com

# PRIMEX SV SERIES EAVE (SOFFIT) VENT EXHAUST



PRODUCT SPECIFICATIONS  
 PLEASE SEE REVERSE  
 FOR CURRENT PRIMEX TECH SPECS

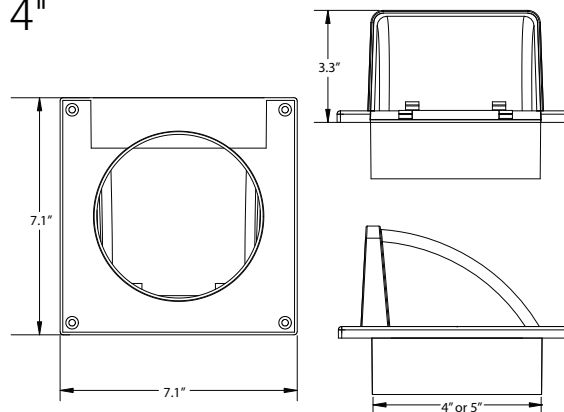
- One piece design
- Made from UV stabilized polymer resin
- Back draft flapper

## PART NUMBERS

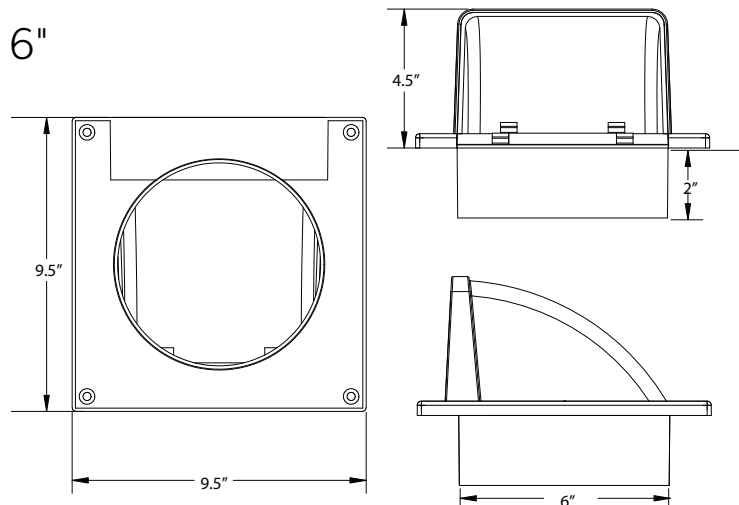
Part numbers shown are stocked.  
 Other Primex items are special orders.

Dia.	Tail	Color	Each #	Qty	Case #	Package
4"	1.75"	white	SV401	24	1SV401	Bulk
6"	1.625"	white	SV601	10	1SV601	Bulk

4"



6"



## LABELS

Builder's Best is an  
 Authorized Primex Distribution Partner  
 Primex is Made in Canada by Menzies Group



## WARRANTY

Please contact [hvac@menzies-metal.com](mailto:hvac@menzies-metal.com) for warranty information.

# SV Series Soffit Vents

# Technical Data Sheet

## FEATURES & BENEFITS

- Low profile, one-piece design is less obtrusive than traditional vents.
- Choose from three different sizes for either 4", 5" or 6" ducting.
- Can be used in new or retrofit applications.
- No need to penetrate the roof or walls.
- No leaky seams on the vent hood.
- Made from durable, UV-stabilized polymer resin.
- Lightweight and easy to install.

## COLOURS

- Snow White (01)
- Taupe (23)

## APPLICATIONS

- Dryer Venting
- Bathroom Venting
- Range Venting
- Heat Recovery Venting (HRV)
- Intake

## PART NUMBER/SIZING

Part #	Size	Free Area	Description	Pkg
SV4	4" Dia.	12.6 sq. in	Fits 4" diameter duct	24/box
SV5	5" Dia.	13.3 sq. in	Fits 5" diameter duct	24/box
SV6	6" Dia.	28.2 sq. in	Fits 6" diameter duct	10/box

## TECHNICAL DRAWING

